

OFG5311 Tripod Turnstile

Overview

OFG5311 tripod turnstile is designed for personnel access control. It has a simple and elegant design, and can be used not only with UNV access control devices to realize precise access control by utilizing UNV access control technologies, but also with UNV face recognition terminals to resolve issues plaguing traditional barrier gates such as illegal access using credentials of authorized persons. This product can be widely used in office buildings, government agencies, airports, scenic spots, stadiums, schools and other important places to achieve smart, safe and fast access control.



Features

- Pedestrian-only access.
- All-round security design
 - Automatic door opening for unobstructed access in case of power failure.
 - Electric leakage protection for pedestrian safety.
 - LED indicates the passing direction and passing status, preventing reverse access.
- Highly reliable hardware design
 - Pedestals of 1.0mm thick on the side and 1.2mm thick on the top, sturdy and reliable, simple and elegant.
 - IP54.
- Solenoid valve unlocking design provides long lifetime, high reliability, and fast door opening.
- Intelligent behavior detection and access control
 - Anti-rush: Remains closed unless an opening signal is received.
 - Anti-impact: Able to withstand illegal external impacts for controller protection.
 - Automatic reset: Automatically cancels the passing permission if a person does not pass through within the valid passing duration.
- Powerful control center
 - STC CPU chip ensures long lifetime and high stability.
 - MCBF 3 million times.
- Complete application solution
 - With face recognition terminals connected, multiple authentication modes are available, such as face allowlist (1:N), face+IC card, and card.

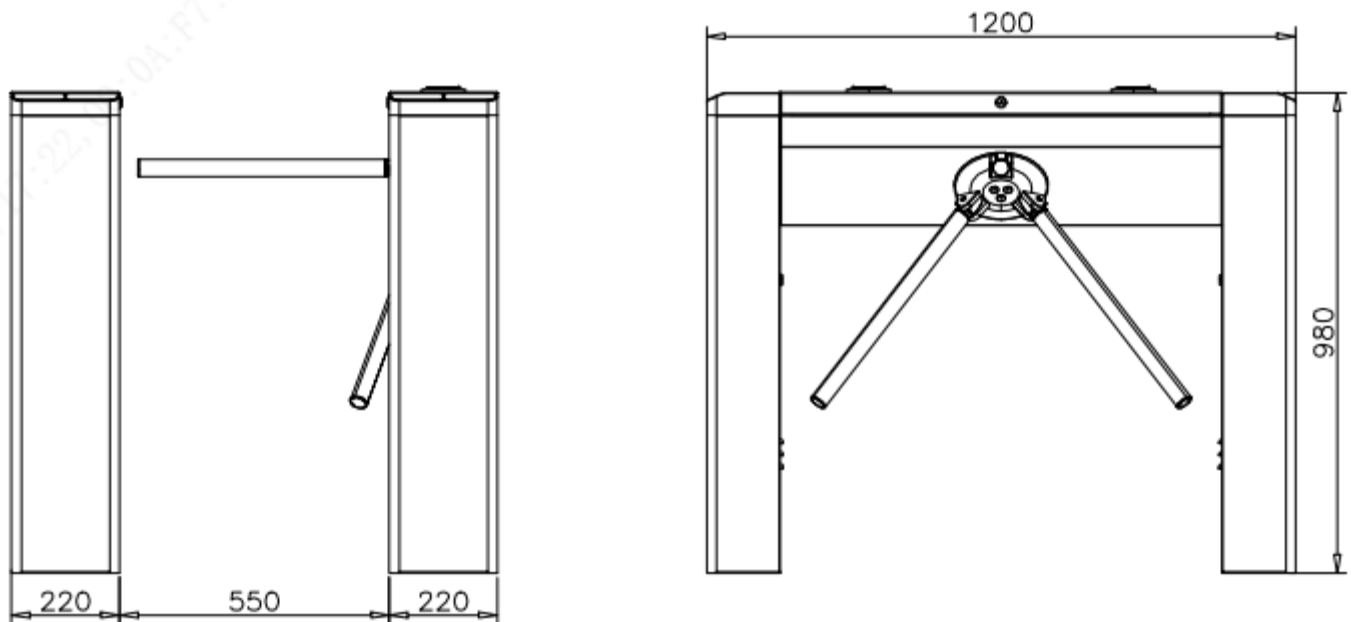
Specifications

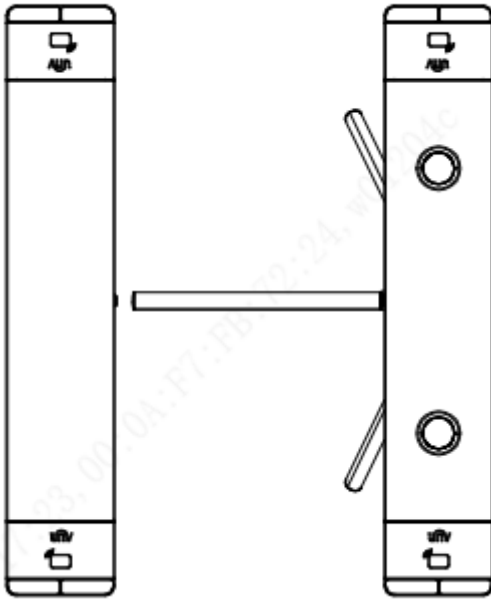
Parameter	Description
Throughput	20 to 30 persons per minute
Fire alarm linkage	Auto door opening in case of power failure
LED color	Blue
Pedestal material	1.0mm thick on the side, 1.2mm thick on the top
MCBF	3 million times
Power	AC100-240V, 50Hz to 60Hz
Power consumption	40W
Weight	45KG (empty pedestal: 30KG)
Dimensions (LxWxH)	1200mm*220mm*980mm
Lane width	550mm
Operating temperature	-20°C to +60°C (temperature control module required)
Relative humidity	5% to 80%
Interface	IO*1
Ingress protection	IP54
Barrier material	Stainless steel round rod
Barrier fall mode	Auto fall after power failure, manual lift after power on, auto reset after impacts

Ordering Information

Model	Configuration	Remarks
OFG5311	R-C	Tripod turnstile (right pedestal)
	R1-C	Tripod turnstile (right pedestal, 1-hole)
	R2-C	Tripod turnstile (right pedestal, 2-hole)
	N-C	Tripod turnstile (empty pedestal)

Dimensions (unit: mm)





Zhejiang Uniview Technologies Co., Ltd.

Building No.10, Wanlun Science Park, Jiangling Road 88, Binjiang District, Hangzhou, Zhejiang, China

Email: overseasbusiness@uniview.com; globalsupport@uniview.com

<http://www.uniview.com>

©2022 Zhejiang Uniview Technologies Co., Ltd. All rights reserved.

* Product specifications and availability are subject to change without notice.